



## EYE SPLICE 16-STRAND CLASS I

Class I 16-strand ropes are made from any or all of the following fibers: olefin, polyester, or nylon.

The eye splice is used to place a permanent loop in the end of a rope, generally for attachment purposes to a fixed point. An eye is also used to form the rope around a thimble, which is used to protect the rope, especially when it is to be attached to a shackle, chain or wire rope.

Additional rope needed for splice:  
28: plus length of eye.

**TIP:** For this rope awire fid is easier to use than a tubular fid.

STEP 1

### MEASUREMENTS

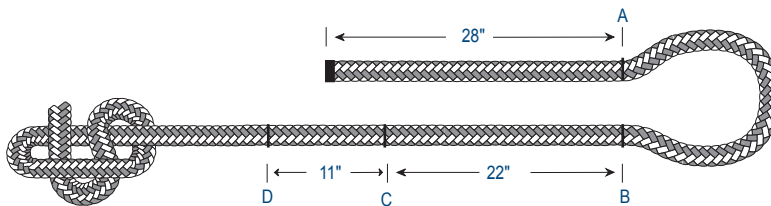
**1A** Measure 28-inches from end of rope and make Mark A.

**1C** Measure 22-inches down from Mark B and make Mark C.

**1E** Tie a knot in body of the rope about 11-inches down from Mark D.

**1B** Form desired size of eye and make Mark B opposite Mark A.

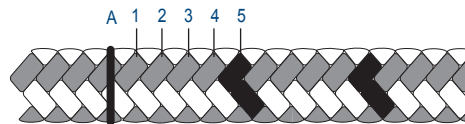
**1D** Measure 11-inches down from Mark C and make Mark D.



STEP 2

### MARKING COVER TAPER

**2A** From Mark A count 5 strand pairs toward the end of rope and mark the 5th pair (left and right strands).

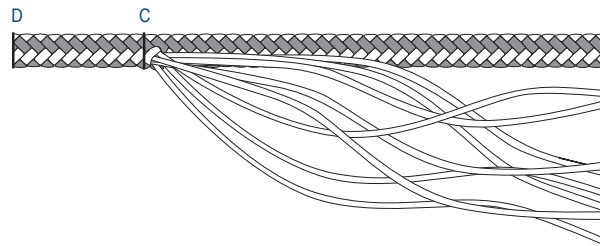


**2B** Continue counting down 5 pairs and marking the 5th pair until a total of 5 strand pairs are marked.

STEP 3

### CORE REMOVAL

Carefully open up the braid at Mark C and pull out the core yarns from the end of the rope back to Mark B.

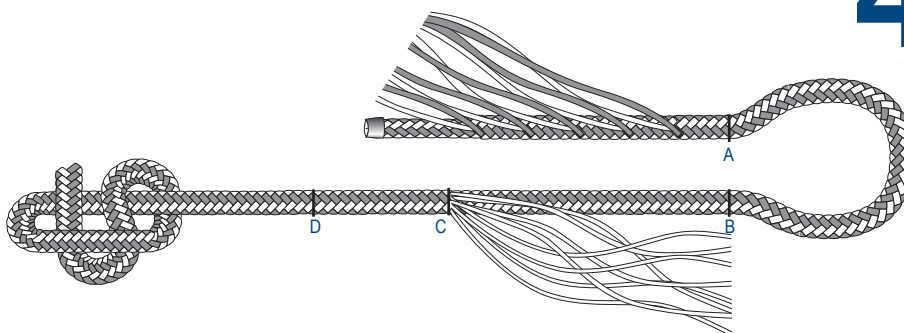


STEP 4

### TAPERING END OF ROPE

**4A** Pull out marked strand pairs from braid. Do not cut.

**4B** Tape end of cover tail and attach fid to tapered end of rope.



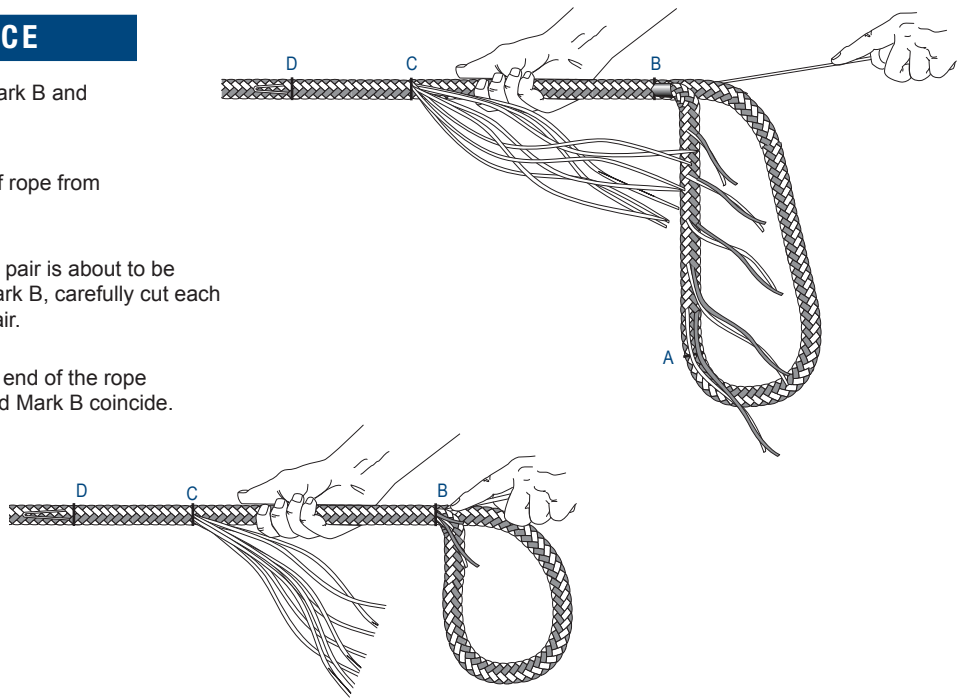


## EYE SPLICE 16-STRAND CLASS I

### STEP 5

#### PERFORMING SPLICE

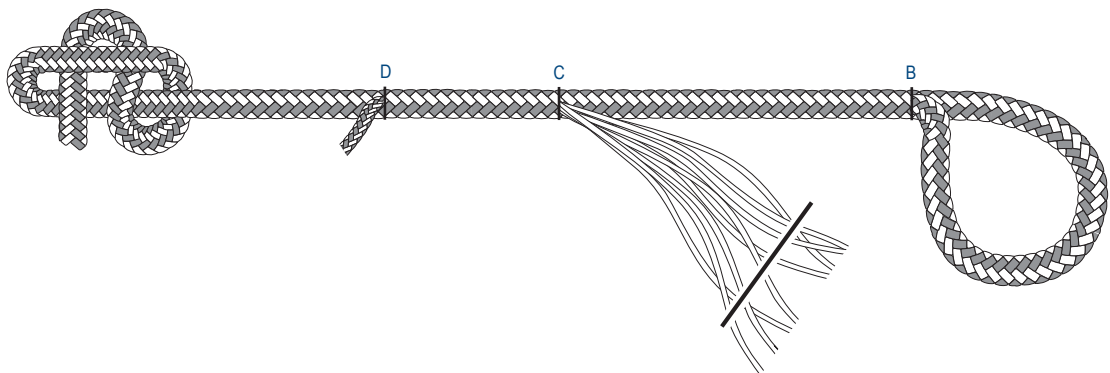
- 5A** Insert fid into rope at Mark B and out at Mark D.
- 5B** Pull tail through body of rope from B to D.
- 5C** As each marked strand pair is about to be buried in the rope at Mark B, carefully cut each strand in the marked pair.
- 5D** Continue to pull the tail end of the rope until Mark A and Mark B coincide.



### STEP 6

#### MARKING TAILS

- 6A** Smooth rope from eye back to Mark D to remove all slack in the braid.
- 6B** Smooth rope from knot to Mark C to bury as much of the core yarns as possible.
- 6C** Mark both cover tail and core yarns where they exit from the body of the rope.





## EYE SPLICE 16-STRAND CLASS I

### STEP 7

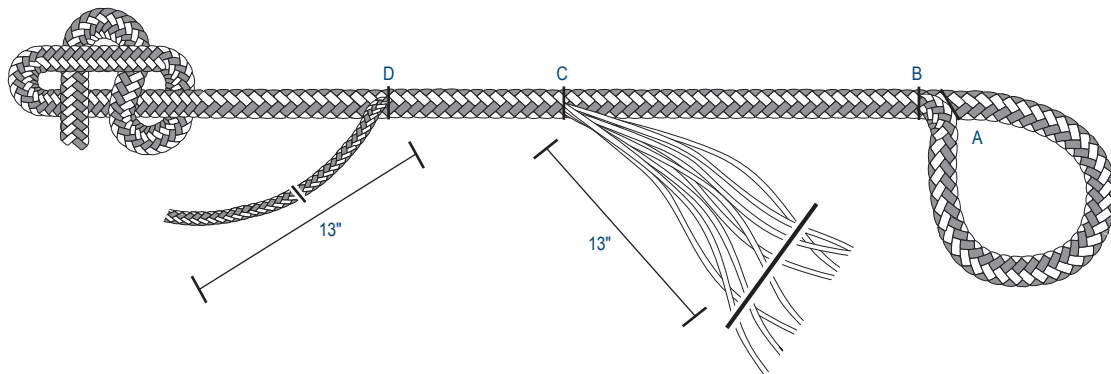
#### FINAL TAPER

**7A** Pull buried tail and cover yarns out of rope at their respective exit points until about 13-inches are exposed. This is the distance that the tail and core yarns overlap in the splice.

**7B** Cut both cover tail and core yarns where they were marked in step 6C above.

**7C** Taper both cover tail and core yarns from the ends back about 6.5-inches. This taper provides a smooth transition from the buried tail of the splice to the core yarns extending down the remainder of the rope.

**7D** Bury the exposed ends by alternately smoothing the rope from the eye down and from the knot up.



### STEP 8

#### FINISHING THE SPLICE

**8A** Secure knot firmly in place and pull sharply on eye to make sure all slack is removed from splice area and cover and core tails are seated properly.

**8B** Apply whipping to base of eye for a distance of about 1-inch or 2 rope diameters.

