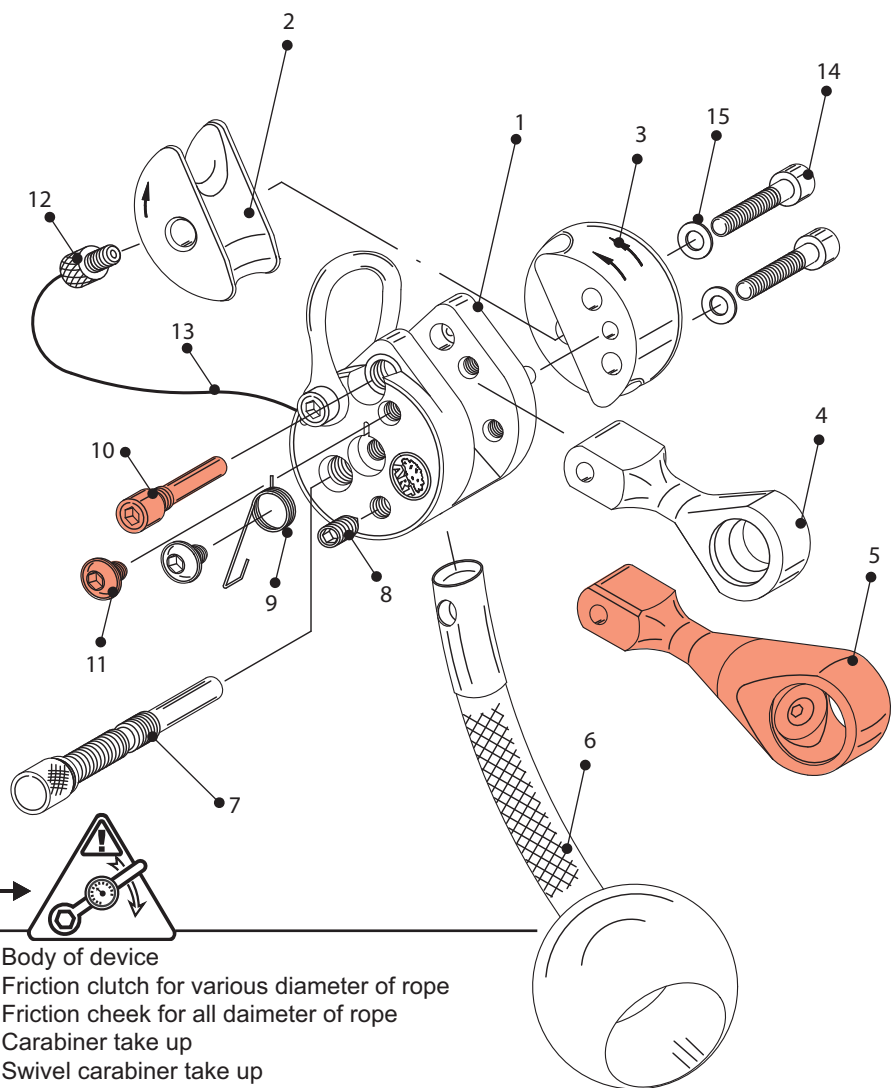


## Lockjack Sport:



- |    |  |                           |
|----|--|---------------------------|
| 1  | Body of device                               |                           |
| 2  | Friction clutch for various diameter of rope |                           |
| 3  | Friction cheek for all diameter of rope      |                           |
| 4  | Carabiner take up                            |                           |
| 5  | Swivel carabiner take up                     |                           |
| 6  | Release rope                                 |                           |
| 7  | Bearing screw for friction clutch            |                           |
| 8  | Safety screw for release rope                |                           |
| 9  | Spring                                       |                           |
| 10 | Bearing screw for carabiner take up          | 6-7,5 Nm / 53-66,4 IN-Lbs |
| 11 | Safety screw                                 | 6-7,5 Nm / 53-66,4 IN-Lbs |
| 12 | Banjo screw                                  |                           |
| 13 | String                                       |                           |
| 14 | Screw  | 6-7,5 Nm / 53-66,4 IN-Lbs |
| 15 | Washer                                       |                           |